



FS-N11P

Fiber Amplifier, Cable Type, Main Unit, PNP



*Please note that accessories depicted in the image are for illustrative purposes only and may not be included with the product.

Specifications

Model	FS-N11P	
Type	Standard 1 output Cable	
Output	PNP	
Main unit/expansion unit	Main unit	
Control output	1 PNP open collector 24 V; 1 output max: 100 mA or less; 2 output total: 100 mA or less (used stand-alone)/20 mA or less (multiple connections); residual voltage 1 V or less	
External input	-	
Light source LED	Red, 4-element LED	
APC	ON/OFF switchable (Factory setting: OFF)	
Response time	50 μ s (HIGH SPEED) /250 μ s (FINE) /500 μ s (TURBO) /1 ms (SUPER) /4 ms (ULTRA) /16 ms (MEGA)	
Number of interference prevention units	0 for HIGH SPEED; 4 for FINE; 8 for TURBO/SUPER/ULTRA/MEGA (When set to double, the number of interference-prevention units will be doubled.)	
Unit expansion	Up to 16 units can be connected total (two output type is treated as two units)	
Rating	Power voltage	12 to 24 VDC \pm 10 %, Ripple (P-P) 10 % or less
	Current Consumption	Normal: 950 mW or less (39 mA max. at 24 V, 52 mA max. at 12 V)* ¹ Eco on mode: 850 mW or less (35 mA max. at 24 V, 44 mA max. at 12 V)* ¹ Eco Full mode: 520 mW or less (21 mA max. at 24 V, 26 mA max. at 12 V)
Environmental resistance	Ambient light	Incandescent lamp: 20,000 lux or less, Sunlight: 30,000 lux or less
	Ambient temperature	-20 to +55 °C -4 to +131 °F (No freezing)* ²
	Relative humidity	35 to 85 % RH (No condensation)
	Vibration resistance	10 to 55 Hz, Double amplitude 1.5 mm 0.06" , 2 hours in each of the X, Y, and Z directions
	Shock resistance	500 m/s ² , 3 times in each of the X, Y, and Z directions
Case material	Both main unit and expansion unit housing material: Polycarbonate	
Weight	Approx. 75 g	

*¹ Increases 100 mW (4.0 mA) for High Speed mode

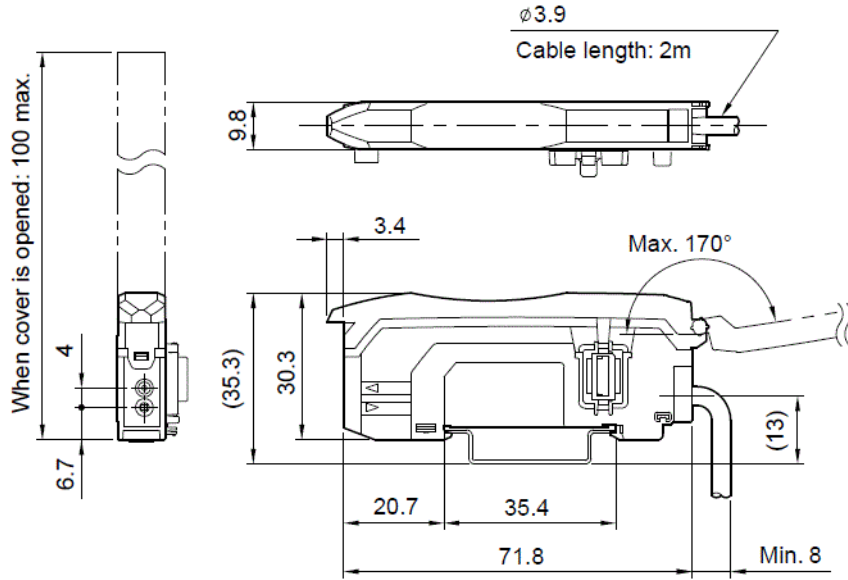
*² One or two more units connected: -20 to +55 °C **(-4 to +131 °F)**; 3 to 10 more units connected: -20 to +50 °C **(-4 to +122 °F)**; 11 to 16 more units connected: -20 to +45 °C **(-4 to +113 °F)**.

When using 2-outputs, one unit is counted as two units. All temperature regulations are for when the unit is mounted on a DIN rail and installed on metal sheeting.

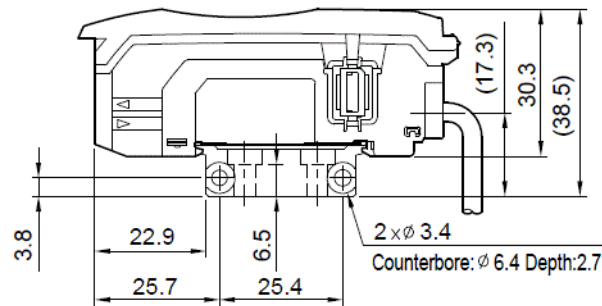
Dimensions

* Download CAD file or product manual for larger image/text and more detail.

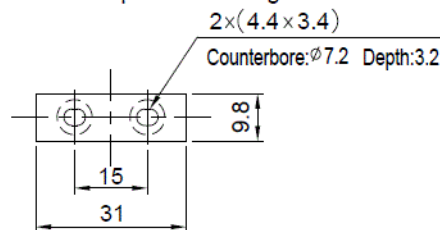
FS-N11N / N11P / N13N / N13P / N11MN



When amplifier mounting bracket (OP-73880) is used



Bottom surface of amplifier mounting bracket



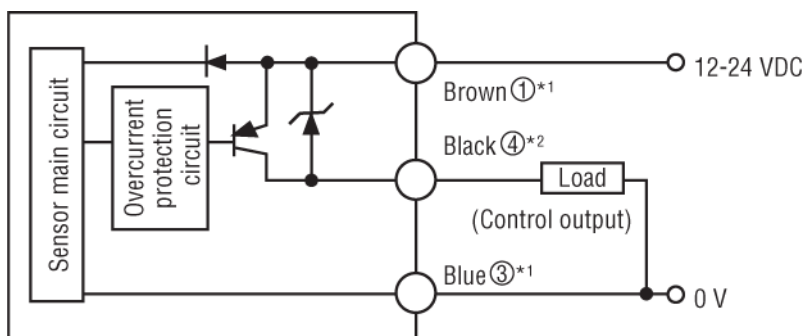
* 1 FS-N11N(P)/N13N(P)/N11MN is not provided with an expansion connector.

* 2 FS-N10 is not provided with cables.

I/O Circuit Connection diagram

* Download CAD file or product manual for larger image/text and more detail.

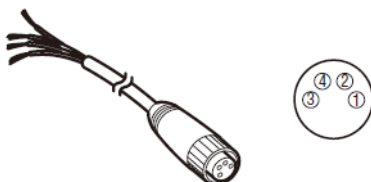
Output Circuit Diagram



*1 FS-N11P/N13P/N13CP only

*2 The FS-N13P/N14P has a white cable as separate output The FS-N13CP/N14CP has pin 2 as separate output 2.

Output Circuit Diagram



*1 FS-N11P/N13P/N13CP only

*2 The FS-N13P/N14P has a white cable as separate output The FS-N13CP/N14CP has pin 2 as separate output 2.